



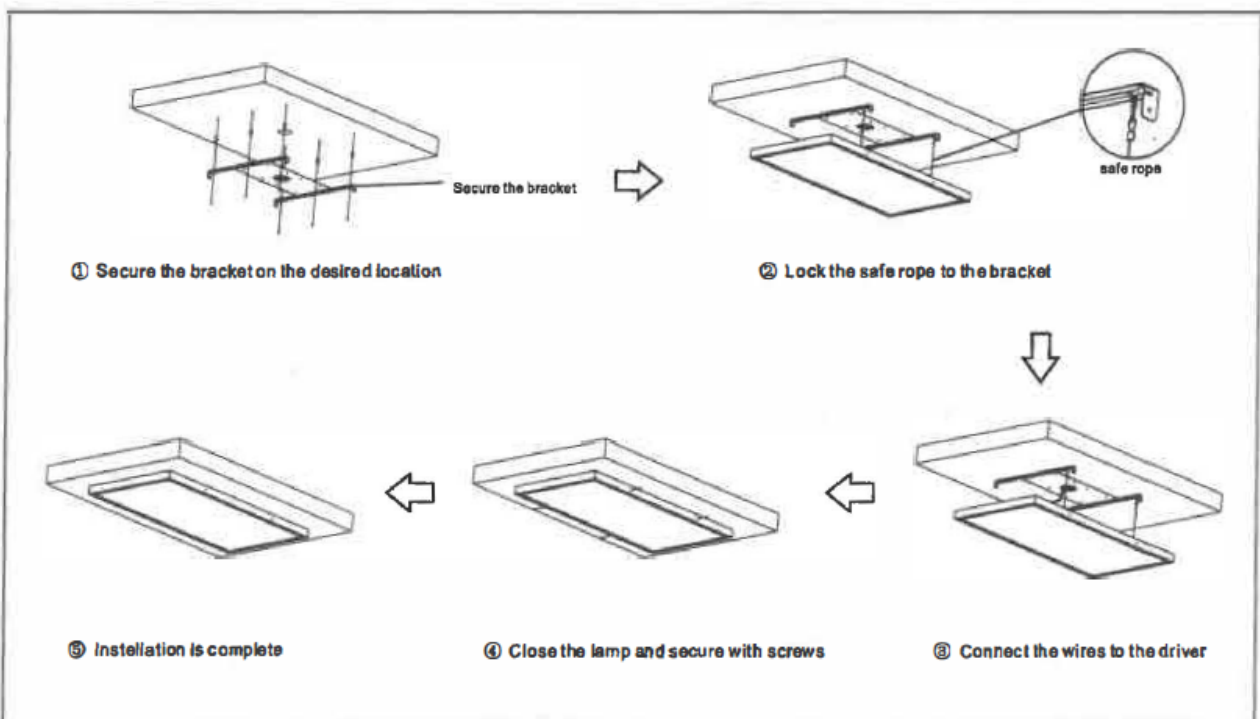
72804 - INSTALLATION INSTRUCTIONS

CAUTION:

- Please read the user manual before installation.
- Please install, connect and test the lamp in accordance with local and national electric codes. Lamps should always be installed or replaced with care by a qualified electrician.
- Ensure the power is switched off before installation.
- Please check for any damage to the fixture during shipping, broken items cannot be used.
- Do not cover anything on the fixture and keep away from fire or high temperature objects.
- Turn the power off and let the fixture cool down before cleaning.
- The fixture is only suitable for weak acid and weak base environments.
- Please DO NOT install this product In the following places:
 - Areas with a large quantity of lampblack and smoke.
 - Areas with a large quantity of chemical corrosive substance.
 - Areas with poor temperature conditions and/or large-scale temperature variation, which would lead to damaging the product. The recommended operating temperature is between -13°F - 104°F.

PRODUCT MUST BE INSTALLED IN ACCORDANCE WITH THE APPLICABLE INSTALLATION CODE BY A PERSON FAMILIAR WITH THE CONSTRUCTION AND OPERATION OF THE PRODUCT AND THE HAZARDS INVOLVED.

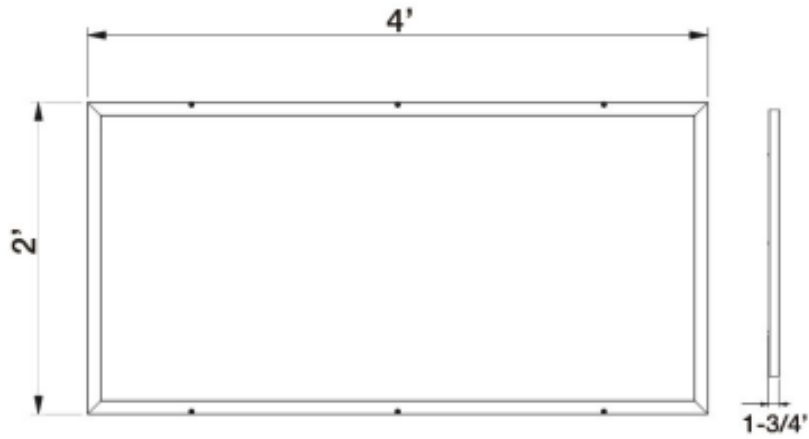
INSTALLATION INSTRUCTIONS: SURFACE MOUNT



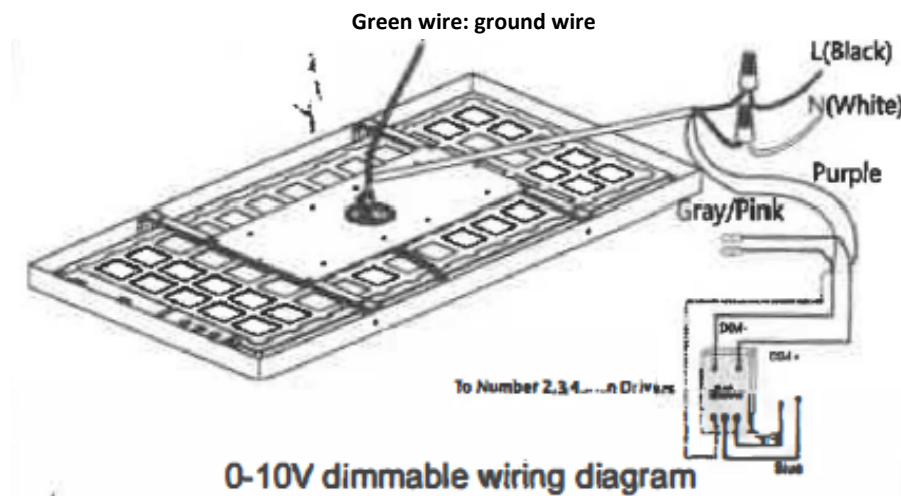


72804 - INSTALLATION INSTRUCTIONS

DIMENSION:



WIRING INSTRUCTIONS:



TROUBLESHOOTING:

Warning: Please disconnect before troubleshooting.

FAULT	TROUBLESHOOTING
The lamp doesn't work	<ol style="list-style-type: none"> 1. The input switch is not turned on, please turn on the switch 2. The voltage does not match. If the driver is damaged, the fixture needs to be replaced 3. The dimming light is connected reversely. Please reconnect 4. The AC line is connected to the dimmer. If the driver is damaged, the fixture needs to be replaced 5. If there are 4 pins on the input end, please check whether it is connected correctly (L line and N Line cannot be cross connected, otherwise fixture will short circuit)
Lights Flash	<ol style="list-style-type: none"> 1. The driver is damaged and the fixture needs to be replaced 2. The switch is not dialed in place (It cannot be dialed between 2 powers, the adjust switch is successfully toggled well when the ticking sound is heard) 3. Please adjust switch if the brightness lowers or the CCT is wrong
Unable Dimming	Check the dimmer or dimmer wiring
Light cannot be dimmed to lowest	Adjust the dimmer knob, observe the lamp brightness, and reset the minimum threshold